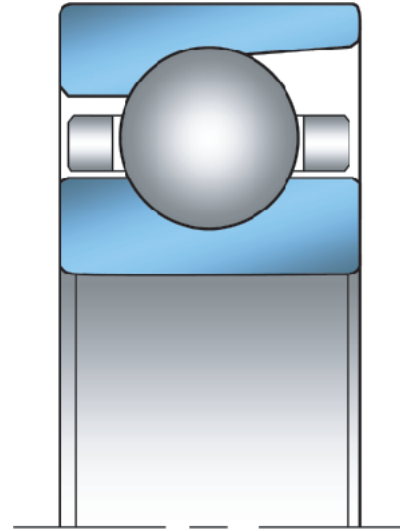


Flush Ground Angular Contact Ball Bearings

NACHI

BMU Series



- Flush Ground Type
- Machined Brass Cage

FLUSH GROUND for Versatility, Ease of Assembly, and Simplified Inventory Control

Any combination of NACHI Flush Ground Angular Contact Ball Bearings will provide the desired clearance. With the Universal Flush Grinding, bearings can be mounted as DB, DF, and DT pairs, or combined to form triplex and quadraplex sets.

Offices

NACHI AMERICA, INC.
Corporate Headquarters
715 Pushville Road
Greenwood, Indiana 46143
Phone: 317-530-1001
Fax: 317-530-1001

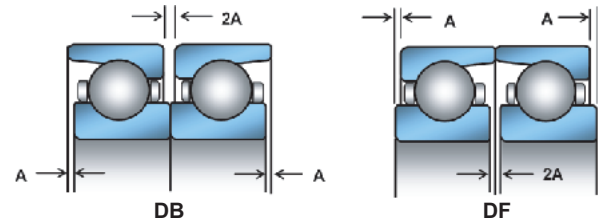
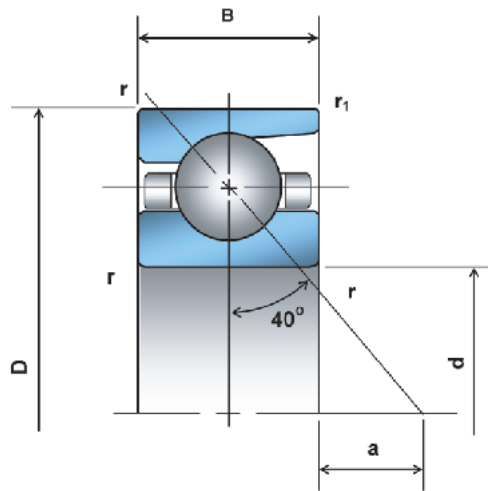
WEST COAST OFFICE
12652 Alondra Boulevard
Cerritos, CA 90703
Phone: 800-548-3903
Fax: 562-802-2455

BEARING DIV. HEADQUARTERS
715 Pushville Road
Greenwood, Indiana 46143
Phone: 888-340-2747
Fax: 888-734-1206

ENGINEERING LABORATORY
Nachi Technical Center
715 Pushville Road
Greenwood, Indiana 46143
Phone: 317-530-1008
Fax: 317-530-1012

NACHI
NACHI AMERICA INC.

Technical Information



BMU Series standard clearance

Bore (mm)		2A (μm)	
over	incl.		
10	18	18	~ 32
18	30	20	~ 40
30	40	25	~ 45
40	50	30	~ 50
50	65	35	~ 60
65	80	40	~ 65
80	100	55	~ 80
100	120	60	~ 85
120	140	75	~ 105
140	150	85	~ 115

Note: Values are before mounting under no load condition

Bearing No.	Boundary Dimensions (mm)						Dynamic Load Ratings Cr (N)		Static Load Ratings Cor (N)		Limiting Speed (rpm)			
	d	D	B	r _{min}	r _{1 min}	a	Single	Duplex	Single	Duplex	Grease Lube.		Oil Lube.	
7303BMU	17	47	14	1.0	0.6	6.8	13,800	22,500	7,300	14,600	14,000	11,000	18,000	15,000
7204BMU	20	47	14	1.0	0.6	7.5	13,300	21,600	7,700	15,400	13,000	10,000	17,000	14,000
7304BMU	20	52	15	1.1	0.6	7.6	16,200	26,300	8,700	17,400	13,000	10,000	17,000	13,000
7205BMU	25	52	15	1.0	0.6	8.9	14,000	22,700	8,700	17,400	12,000	9,200	15,000	12,000
7305BMU	25	62	17	1.1	0.6	9.8	22,900	37,200	13,300	26,600	10,000	8,300	14,000	11,000
7206BMU	30	62	16	1.0	0.6	11.6	19,400	31,600	12,500	25,000	9,600	7,700	13,000	10,000
7306BMU	30	72	19	1.1	0.6	12.3	27,600	44,900	17,400	34,700	8,700	6,900	12,000	9,200
7207BMU	35	72	17	1.1	0.6	14.4	25,600	41,600	17,000	34,100	8,300	6,600	11,000	8,800
7307BMU	35	80	21	1.5	1.0	14.0	32,500	52,700	20,200	40,500	7,700	6,200	10,000	8,200
7208BMU	40	80	18	1.1	0.6	16.2	30,600	49,700	21,300	42,700	7,500	6,000	10,000	8,000
7308BMU	40	90	23	1.5	1.0	15.8	39,700	64,500	25,200	50,500	6,900	5,500	9,200	7,400
7209BMU	45	85	19	1.1	0.6	17.4	34,300	55,800	24,300	48,600	7,000	5,600	9,400	7,500
7309BMU	45	100	25	1.5	1.0	18.1	50,600	82,100	34,100	68,200	6,200	4,900	8,200	6,600
7210BMU	50	90	20	1.1	0.6	19.6	35,700	58,000	26,700	53,500	6,400	5,100	8,500	6,800
7310BMU	50	110	27	2.0	1.0	20.9	64,400	105,000	44,300	88,600	5,500	4,400	7,300	5,800
7211BMU	55	100	21	1.5	1.0	22.6	44,100	71,600	33,800	67,600	5,700	4,600	7,600	6,100
7311BMU	55	120	29	2.0	1.0	22.8	74,300	121,000	52,000	104,000	5,000	4,000	6,700	5,400
7212BMU	60	110	22	1.5	1.0	25.5	53,400	86,800	41,600	83,300	5,100	4,100	6,900	5,500
7312BMU	60	130	31	2.1	1.1	24.8	84,900	138,000	60,300	121,000	4,600	3,700	6,200	5,000
7213BMU	65	120	23	1.5	1.0	27.3	60,900	99,000	49,300	98,700	4,800	3,900	6,400	5,200
7313BMU	65	140	33	2.1	1.1	26.7	96,100	156,000	69,300	139,000	4,300	3,500	5,800	4,600
7214BMU	70	125	24	1.5	1.0	28.9	63,200	103,000	50,600	101,000	4,600	3,700	6,100	4,900
7314BMU	70	150	35	2.1	1.1	28.7	108,000	175,000	78,900	158,000	4,000	3,200	5,400	4,300
7215BMU	75	130	25	1.5	1.0	30.5	71,700	116,000	59,300	119,000	4,300	3,500	5,800	4,600
7315BMU	75	160	37	2.1	1.1	30.8	118,000	191,000	89,200	178,000	3,800	3,000	5,000	4,000
7216BMU	80	140	26	2.0	1.0	33.2	77,100	125,000	65,000	130,000	4,000	3,200	5,400	4,300
7316BMU	80	170	39	2.1	1.1	32.9	127,000	207,000	100,000	200,000	3,500	2,800	4,700	3,800
7217BMU	85	150	28	2.0	1.0	35.3	89,200	145,000	76,000	152,000	3,800	3,000	5,000	4,000
7317BMU	85	180	41	3.0	1.1	35.1	137,000	223,000	112,000	223,000	3,300	2,700	4,400	3,500
7218BMU	90	160	30	2.0	1.0	37.4	102,000	166,000	88,000	176,000	3,500	2,800	4,700	3,800
7318BMU	90	190	43	3.0	1.1	37.2	148,000	240,000	124,000	248,000	3,100	2,500	4,200	3,300
7219BMU	95	170	32	2.1	1.1	39.6	111,000	180,000	94,000	188,000	3,300	2,700	4,400	3,500
7319BMU	95	200	45	3.0	1.1	39.4	158,000	256,000	137,000	273,000	3,000	2,400	4,000	3,200
7220BMU	100	180	34	2.1	1.1	42.2	124,000	202,000	107,000	214,000	3,100	2,500	4,200	3,300
7320BMU	100	215	47	3.0	1.1	43.2	168,000	274,000	148,000	297,000	2,700	2,200	3,600	2,900
7221BMU	105	190	36	2.1	1.1	44.5	135,000	220,000	121,000	241,000	2,900	2,300	3,900	3,100
7321BMU	105	225	49	3.0	1.1	44.7	191,000	310,000	177,000	355,000	2,600	2,100	3,500	2,800
7222BMU	110	200	38	2.1	1.1	46.9	147,000	238,000	135,000	270,000	2,800	2,200	3,700	3,000
7322BMU	110	240	50	3.0	1.1	49.6	213,000	346,000	208,000	416,000	2,400	1,900	3,200	2,600
7224BMU	120	215	40	2.1	1.1	50.3	158,000	257,000	151,000	302,000	2,600	2,100	3,400	2,800
7226BMU	130	230	40	3.0	1.1	55.5	177,000	288,000	180,000	360,000	2,400	1,900	3,200	2,500
7228BMU	140	250	42	3.0	1.1	60.8	197,000	320,000	213,000	426,000	2,200	1,700	2,900	2,300
7230BMU	150	270	45	3.0	1.1	65.6	225,000	365,000	254,000	509,000	2,000	1,600	2,700	2,100